

NÜVO™

HARDWARE

FURNITURE HARDWARE AND KITCHEN ACCESSORIES

KITCHEN ACCESSORIES

FURNITURE & CABINETS
HARDWARE

SCREWS

D'Zine
HANDLES COLLECTION

LOCKS





Limited Lifetime Warranty For Commercial Products

This Limited Lifetime Warranty is given to the initial purchaser of new commercial products purchased from your local distributor and its subsidiaries. The Limited Lifetime Warranty covers defects in materials and workmanship. The Limited Lifetime Warranty does not apply to defects resulting from misuse, damage or abuse, normal wear and tear, accident, modification, improper installation or maintenance, third party materials or damage during shipping. The Limited Lifetime Warranty is not transferable and does not cover any subsequent purchasers of the products.

During the Limited Lifetime Warranty period, your local distributor, will, at its option, repair or replace any defective products with a comparable product or component. This Limited Lifetime Warranty is for repair or replacement of defective products only and does not cover any other costs such as removal, installation, or other related expenses.

Information regarding the claimed defect and date of purchase of the product must be provided. Any defective product must be returned postage or freight prepaid to your local distributor.

This Limited Lifetime Warranty constitutes the only warranty for the products and all other warranties or representations, express or implied, by operation of law or otherwise, including but not limited to any implied warranty of merchantability or fitness for a particular purpose, are hereby expressly disclaimed.

This Limited Lifetime Warranty constitutes the sole remedy available with regard to any defective products. Your local distributor shall not be liable for an incidental, indirect, consequential or special damages, including without limitation, loss of time, inconvenience, or lost revenues or profits.

NÜVO™ Hardware
www.nuvoconcept.com

SCREWS





PRODUCT ADVANTAGES

The most technologically advanced screw for panels and hardwood

NÜVO DRIVE SYSTEM

- #2NR (Nüvo) is fully compatible with your #2R (square)
- Dramatically reduces wobbling and stripping out, enabling single-handed operation
- Designed to maximize torque transfer



SPIRAL RIBS

- Keeps the surface free of tailings around the edges of the screw head
- Limits splits on the surface
- Keeps the surface flat and smooth
- Seats flatly and smoothly on the hinge for a professional look



SMOOTH SHANK

- Reduces friction and provides a better draw down

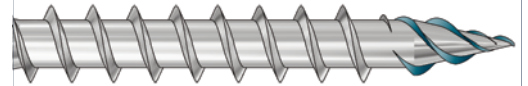


TIPS

A

ZYX tip

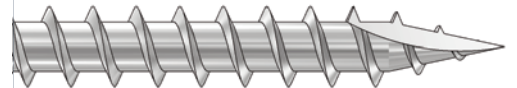
- Faster grip into hardwood and soft wood
- Limits splits close to the edge of hardwood and soft wood
- Designed to be safely extracted



B

T17 tip

- Eases wood penetration and accelerates drilling time
- Reduces stress on hands, arms and equipment



NICKEL

- Provides a high quality finish

PACKAGING

- The containers are transparent for easy identification of the product
- Handles on each container for ease of transport
- Free #2NR bit included in each container
- Sealed containers assure authenticity, quality and quantity of the product
- Nüvo screw containers are designed for easy and stable stacking

PRODUCT ADVANTAGES

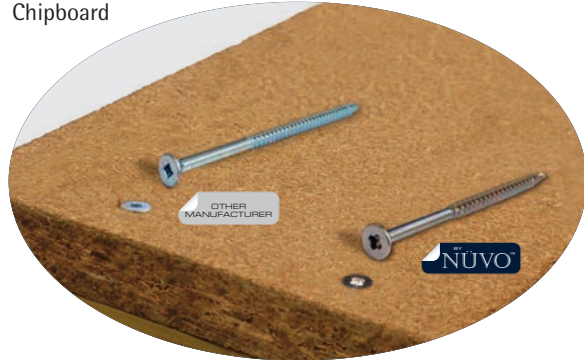
The technology and its results

The ZYX tip limits splitting problems, keeps the edge flat and smooth and answers to the highest standards.

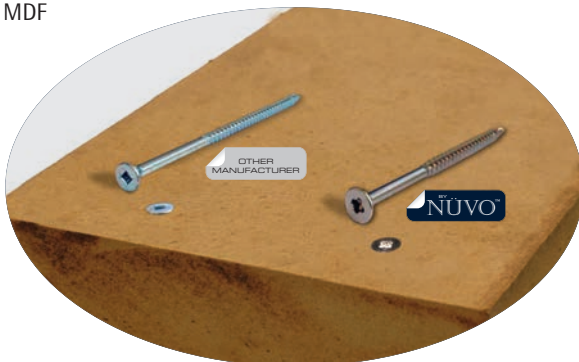
Red oak



Chipboard



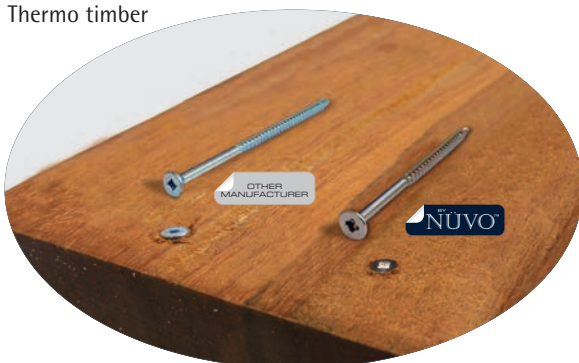
MDF



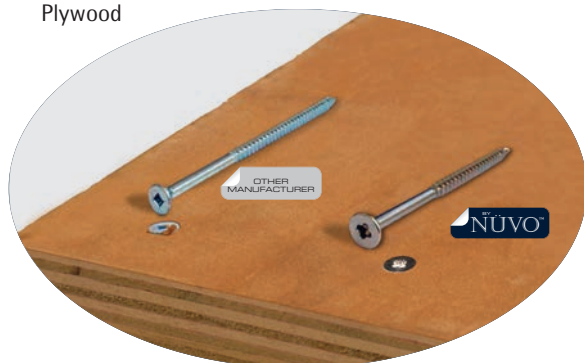
Melamine



Thermo timber



Plywood



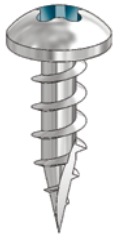
PAN / TRUSS / EURO SCREW

#2NR

PAN HEAD

nickel
T17 tip

#2NR

Compatible with
#2 square bit

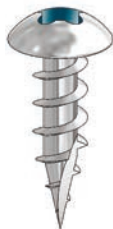
	Size	Tip	Code	Qty	Code	Qty
#6	1/2"	T17	22-300-0	2 500	22-300-1	23 000
	5/8"	T17	22-301-0	2 000	22-301-1	20 000
#8	9/16"	T17	22-302-0	1 500	22-302-1	12 000
	5/8"	T17	22-303-0	1 500	22-303-1	10 000
Designed for		<ul style="list-style-type: none"> • Small hardware assembly • Slides and hinges 				

#2NR

TRUSS HEAD

nickel
T17 tip

#2NR

Compatible with
#2 square bit

	Size	Tip	Code	Qty	Code	Qty
#8	5/8"	T17	22-400-0	1 500	22-400-1	10 000
Designed for		<ul style="list-style-type: none"> • Small hardware assembly • Slides and hinges (Truss head recommended for ball-bearing slides) 				

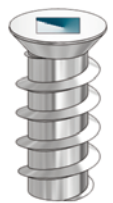
#2R

EURO

nickel



#2R



	Size	Code	Qty	Code	Qty
M6.3	10mm	22-000-0	1 500	22-000-1	6 500
	13mm	22-001-0	1 200	22-001-1	6 000
Designed for		<ul style="list-style-type: none"> • Hinges and drawer slides 			

FLAT HEAD SCREW

#2NR

FLAT HEAD

nickel

if < 1¼" T17 tip

if ≥ 1¼" ZYX tip



#2NR



Compatible with
#2 square bit

Flat head

#2NR
Spiral ribs
T17 tip


Flat head

#2NR
Spiral ribs
ZYX tip

	Size	Tip	Code	Qty	Code	Qty
	½"	T17	22-200-0	2 500	22-200-1	23 000
	⅝"	T17	22-201-0	2 500	22-201-1	20 000
	¾"	T17	22-202-0	2 000	22-202-1	18 000
	1"	T17	22-203-0	1 500	22-203-1	10 000
	1 ¼"	ZYX	22-204-0	1 500	22-204-1	8 000
	1 ½"	ZYX	22-205-0	1 200	22-205-1	6 000
	1 ¾"	ZYX	22-206-0	1 000	22-206-1	5 000
	2"	ZYX	22-207-0	800	22-207-1	4 000
Designed for	<ul style="list-style-type: none"> • ½", ⅝" and ¾" Drawer slides, hinge plates and Euro hinges • 1¼", 1½", 1¾" and 2" For European box construction (32mm) • 2" Stair risers 					



	Size	Tip	Code	Qty	Code	Qty
#7	⅝"	T17	22-208-0	1 500	22-208-1	18 000
	¾"	T17	22-209-0	1 500	22-209-1	15 000
Designed for	<ul style="list-style-type: none"> • Soft close drawer slides 					

	Size	Tip	Code	Qty	Code	Qty
	1"	T17	22-210-0	1 500	22-210-1	8 000
	1 ⅝"	T17	22-211-0	1 200	22-211-1	7 000
	1 ¼"	ZYX	22-212-0	1 000	22-212-1	6 000
	1 ½"	ZYX	22-213-0	1 000	22-213-1	5 000
	1 ¾"	ZYX	22-214-0	800	22-214-1	5 000
	2"	ZYX	22-215-0	600	22-215-1	3 500

Designed for

- Multipurpose wood screw

FLAT HEAD SCREW

#2NR

FLAT HEAD

nickel

if < 1¼" T17 tip

if ≥ 1¼" ZYX tip



#2NR

Compatible with
#2 square bit

Flat head

#2NR
Spiral ribs
T17 tip

Flat head

#2NR
Spiral ribs
ZYX tip

	Size	Tip	Code	Qty	Code	Qty
#9	2 ½"	ZYX	22-216-0	400	22-216-1	2 500
	3"	ZYX	22-217-0	350	22-217-1	2 000
	3 ½"	ZYX	22-218-0	300	22-218-1	1 500
	4"	ZYX	22-219-0	300	22-219-1	1 200
Designed for	<ul style="list-style-type: none"> • Multipurpose wood screw • Offered as a 9 gauge to increased sheer strength 					



	Size	Tip	Code	Qty	Code	Qty
#10	2 ½"	ZYX	22-220-0	350	22-220-1	2 000
	3"	ZYX	22-221-0	350	22-221-1	1 500
	3 ½"	ZYX	22-222-0	250	22-222-1	1 200
	4"	ZYX	22-223-0	250	22-223-1	1 000
Designed for	<ul style="list-style-type: none"> • Multipurpose screw • Stair and railing • Recommended for high torque and sheer strength applications 					

ROUND WASHER HEAD

ROUND WASHER HEAD

#2NR nickel
if < 1¼" T17 tip
if ≥ 1¼" ZYX tip



#2NR
Compatible with
#2 square bit



Round head
#2NR
T17 tip



Round head
#2NR
ZYX tip

Nickel



	Size	Tip	Code	Qty	Code	Qty
#7	1 ¼"	ZYX	22-500-0	1 000	22-500-1	6 000
	5/8"	T17	22-501-0	1 500	22-501-1	7 000
#8	1 ⅛"	T17	22-502-0	1 000	22-502-1	6 000
	1 ¼"	ZYX	22-506-0	1 000	22-506-1	5 000
	1 ½"	ZYX	22-510-0	800	22-510-1	4 000
	1 ¾"	ZYX	22-535-0	600	22-535-1	3 500
	2"	ZYX	22-536-0	500	22-536-1	2 500
	2 ½"	ZYX	22-511-0	400	22-511-1	2 000
	3"	ZYX	22-515-0	350	22-515-1	1 500
#10	2 ½"	ZYX	22-519-0	350	22-519-1	2 000
	3"	ZYX	22-523-0	300	22-523-1	1 500
	3 ½"	ZYX	22-527-0	250	22-527-1	1 200
	4"	ZYX	22-531-0	250	22-531-1	1 000
#7 and #8 designed for	<ul style="list-style-type: none"> • Kitchen and bath cabinet assembly and/or installation 					
#10 designed for	<ul style="list-style-type: none"> • Kitchen and bath cabinet installation • Recommended for high torque and sheer strength applications 					



	Size	Tip	Code (White)	Qty
#8	1 ⅛"	T17	22-503-0	1 000
			22-503-1	6 000
	1 ¼"	ZYX	22-507-0	1 000
			2 ½"	ZYX
	22-512-1	2 000		
	3"	ZYX	22-516-0	350
22-516-1			1 500	

MACHINE SCREW

#2R

MACHINE SCREWS

nickel
truss head

#2R



	Size	Code	Qty	Code	Qty
M4	3/8"	22-100-0	1 500	-	-
	1/2"	22-101-0	1 500	-	-
	5/8"	22-102-0	1 200	-	-
	3/4"	22-103-0	1 000	-	-
	7/8"	22-104-0	1 000	22-104-1	6 000
	1"	22-105-0	800	22-105-1	5 000
	1 1/8"	22-106-0	700	22-106-1	5 000
	1 1/4"	22-107-0	600	22-107-1	4 500
	1 1/2"	22-108-0	600	22-108-1	4 000
	1 5/8"	22-109-0	600	22-109-1	3 500
	1 3/4"	22-110-0	600	22-110-1	3 500
	2"	22-111-0	500	22-111-1	3 000
5/32"	7/8"	22-104-3	1 000	22-104-4	6 000
Designed for	<ul style="list-style-type: none"> • Handles and knobs installation • Front drawer case installation 				



#2R

BREAKAWAY MACHINE
SCREWSnickel
truss head

#2R

	Size	Code	Qty	Code	Qty
M4	1 3/4"	22-112-0	600	22-112-1	3 500
	2"	22-113-0	500	22-113-1	3 000
Designed for	<ul style="list-style-type: none"> • Handles and knobs installation • Front drawer case installation 				

DRIVER BITS

Nüvo offers two compatible driver bits for our #2NR screws.

- Nüvo #2NR – Adapted for #2R and #2NR drive system. The driver bit #2NR fits perfectly to maximise drilling efficiency.
- Square #2R – Adapted for #2R drive system.

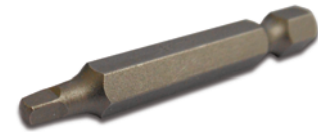
#2NR DRIVER BIT #2NR NÜVO

Size	Code
1"	22-900-0
2"	22-901-0
3"	22-902-0
4"	22-903-0
6"	22-904-0

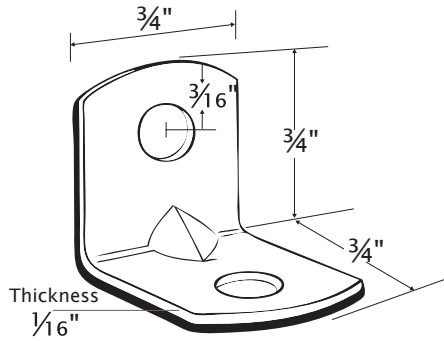


#2R DRIVER BIT #2R SQUARE

Size	Code
1"	22-910-0
2"	22-911-0
3"	22-912-0
4"	22-913-0
6"	22-914-0

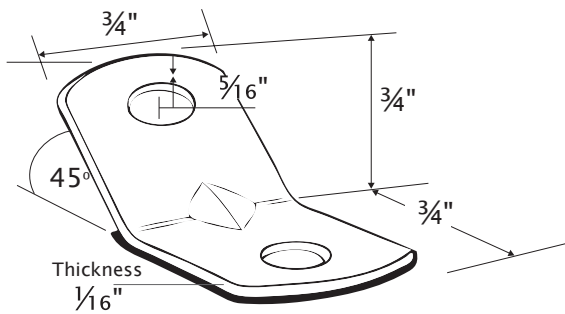


CORNER BRACKETS



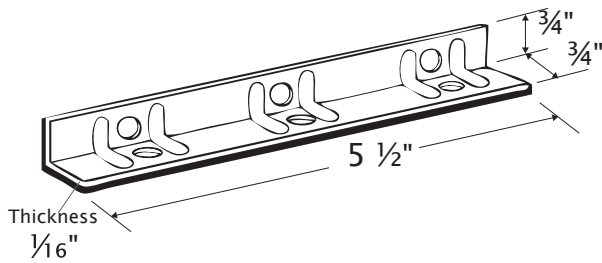
Code	Description	Dimensions	Material	Finish
22-819-1	Corner Bracket	3/4" x 3/4" x 3/4"	Steel	Zinc plated

Available Packaging				
100 pcs/plastic bag 10 bags/box				



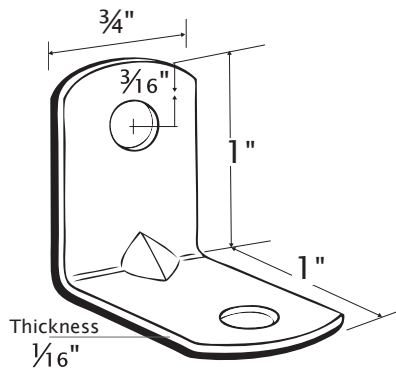
Code	Description	Dimensions	Material	Finish
22-819-2	Corner Bracket	3/4" x 3/4" x 3/4"	Steel	Zinc plated

Available Packaging				
100 pcs/plastic bag 10 bags/box				



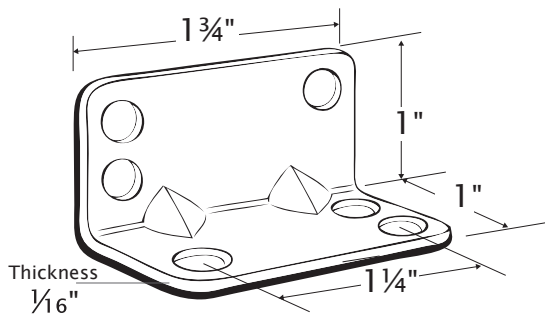
Code	Description	Dimensions	Material	Finish
22-819-4	Corner Bracket	3/4" x 3/4" x 5 1/2"	Steel	Zinc plated

Available Packaging				
100 pcs/box 6 boxes/box				



Code	Description	Dimensions	Material	Finish
22-824-9	Corner Bracket	1" x 1" x 3/4"	Steel	Zinc plated

Available Packaging				
100 pcs/plastic bag 10 bags/box				



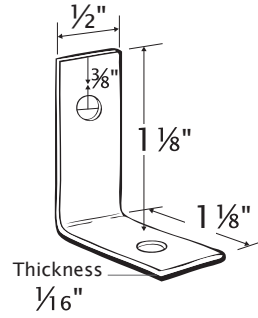
Code	Description	Dimensions	Material	Finish
22-825-4	Corner Bracket	1" x 1" x 1 3/4"	Steel	Zinc plated

Available Packaging				
100 pcs/box 6 boxes/box				

CORNER BRACKETS

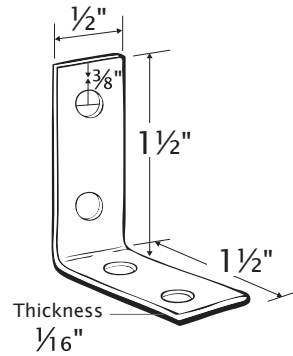
Code	Description	Dimensions	Material	Finish
22-830-2	Corner Bracket	1 1/8" x 1 1/8" x 1/2"	Steel	Zinc plated

Available Packaging				
100 pcs/plastic bag 10 bags/box				



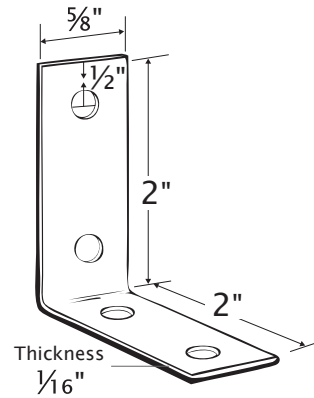
Code	Description	Dimensions	Material	Finish
22-840-2	Corner Bracket	1 1/2" x 1 1/2" x 1/2"	Steel	Zinc plated

Available Packaging				
100 pcs/plastic bag 10 bags/box				



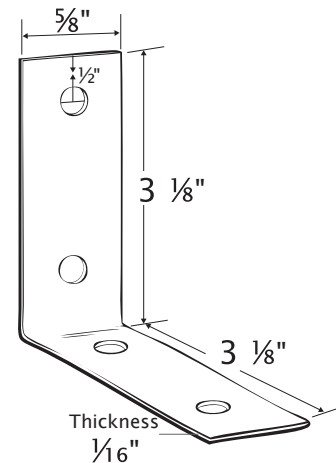
Code	Description	Dimensions	Material	Finish
22-850-6	Corner Bracket	2" x 2" x 5/8"	Steel	Zinc plated

Available Packaging				
100 pcs/box 6 boxes/box				



Code	Description	Dimensions	Material	Finish
22-880-6	Corner Bracket	3 1/8" x 3 1/8" x 5/8"	Steel	Zinc plated

Available Packaging				
100 pcs/box 6 boxes/box				



NÜVO™

HARDWARE
nuvoconcept.com

DISTRIBUTORS



**COMMONWEALTH PLYWOOD
DISTRIBUTION**

commonwealthplywood.com



TORONTO
25 Dansk Court
Rexdale, ON M9W 5N6
(416) 675-3266
(800) 268-696

LONDON
1010 Green Valley Road
London, ON N6N 1E3
(519) 681-5304
(800) 265-6003

NORTH BAY
12 Old Sturgeon Falls Road
North Bay, ON P1B 8G5
(705) 495-3166
(800) 461-3211

WATERLOO
100 Randall Drive
Waterloo, ON N2J 4A9
(519) 885-2810
(800) 563-6081

BOUCHERVILLE
100 rue de Vaudreuil
Boucherville, QC J4B 5G4
(514) 527-4581
(800) 361-7000

QUEBEC
5850 rue des Tournelles
Quebec, QC G2J 1E4
(418) 624-1515
(877) 624-1515

OTTAWA
2950 Swansea Crescent
Ottawa, ON K1G 3W4
(613) 688-2280
(877) 536-2280



Robert Bury & Company

robertbury.com



BRAMPTON
89 Summerlea Road
Brampton, ON L6T 4V2
(905) 790-2879
(800) 268-1716

PETERBOROUGH
2001 Fisher Drive
Peterborough, ON K9J 7H7
(705) 745-1335
(800) 461-1944

DARTMOUTH
30 Williams Avenue
Dartmouth, NS B3B 2E2
(902) 468-3555
(800) 565-7200

MONCTON
135 Driscoll Crescent
Moncton, NB E1E 4C8
(506) 857-9903
(800) 561-7199

WALPOLE
1 Mill Pond Road
Walpole, MA 02081
(508) 660-2879
(800) 509-4633

WINNIPEG
1865 Burrows Avenue
Winnipeg, MB R2X 2V9
(204) 632-1161
(888) 632-1161

ST-LAURENT
3500 Pitfield
St-Laurent, QC H4S 1W1
(514) 745-0260
(800) 363-0562

QUEBEC
5300 Armand Viau
Quebec, QC G2C 1Y7
(418) 872-2879
(800) 361-2879

OTTAWA
1881 Bantree Street
Ottawa, ON K1B 4X3
(613) 747-2879
(800) 267-2354



distnortra.com

10100 boulevard du Golf
Anjou, QC H1J 2Y7
(514) 351-1771
(800) 363-5953



RAYETTE FOREST PRODUCTS

rayetteforestproducts.com

60 Rayette Road
Concord, ON L4K 2G4
(416) 661-0831
(800) 268-1963



produitsforestierscjp.com

730, rue Delage
Longueuil, QC J4G 2V8
(450) 928-9990
(888) 535-5424

1255, rue des Artisans
Quebec, QC G1N 4T8
(418) 871-0411
(877) 773-7070



W.C. EDWARDS LUMBER

955 Mackay Street
Pembroke, ON K8B 1A2
(613) 732-7337



eroko.com

ABBOTSFORD
#1 - 31035 Wheel Avenue
Abbotsford, B.C. V2T 6G7
(604) 859-5920
(844) 78E-ROKO

NANAIMO
8 - 4115 Mostar Rd
Nanaimo, B.C. V9T 6A6
(250) 758-7359
(800) 661-6336

KELOWNA
3488 Velocity Avenue
Kelowna, B.C. V1V 3C2
(250) 491-1772
(800) 665-8481

SEATTLE
21506 86th Ave South
Kent, WA 98031
(253) 395-3535
(800) 99E-ROKO

VICTORIA
609 Alpha Street
Victoria, B.C. V8Z 1B5
(250) 383-1944
(800) 663-6625

CALGARY
4310 12th Street NE
Calgary, AB T2E 6K9
(403) 769-0129
(800) 665-6187



DISTRIBUTED BY: